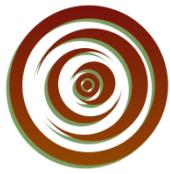


CCS DATA

Geospatial Services



CCS DATA

Geospatial Services



CCS Data is an efficient GIS, Utility Mapping and Consultancy service provider committed to provide a cost effective and quality Services to Customers.

We have professionals with huge experiences of core competencies in GIS Data Conversion and Maintenance services, providing project consultancy for Utility (Strom, Gas, Sewer & Water), Electrical and Telecom sectors. Also have experience in Civil, Electrical and Mechanical CAD drafting services.

Our experience helps us to provide integrated solution, support, quality and cost effective service to our clients. Our work mechanism is such that we remain neck to neck with customer's time zone and also works with the client in order to understand their requirements and expectations.

Services Offered

GIS

GIS can help utility companies to increase the efficiency of their cross-bore detection and mitigation programs by streamlining field data collection and management of historical data.

A utility network is the main component user's work with when managing utility and providing a comprehensive framework of functionality for the modeling of Landbase and Utility Systems, such as Electric, Gas, Water, Storm water, Wastewater, and Telecommunications.

Services: Our GIS engineers have worked for businesses across an array of verticals including Landbase, Telecom, Water, Electric, Gas and more.

- GIS Mapping like Digitization and Drafting using different sources provided by client.
- Conversion and Migration of Utilities like Electrical, Telecom, Water, Gas, Storm water and Sewage networks data into GIS System.
- Work Order posting and Data Maintenance.
- Conversion and Migration of Land data like Road network, Parcels, Easements, Boundaries etc.



Auto-CAD

AutoCAD is a computer-aided design allows you to draw and edit digital 2D and 3D designs more quickly and easily than you could by hand. The files can also be easily saved and stored in the cloud, so they be accessed anywhere at any time.

Services: We offer a CAD service for our clients with the best quality assurance. Our design solutions are aimed at efficient project management and timely completion. We offer easy design conversion, migration, and maintenance services for businesses operating in Electrical, Mechanical, Telecom, Architectural, and Civil verticals.

- Raster to Vector conversion
- Paper to CAD drafting
- 2D Drafting Services
- Electrical, Mechanical & Architectural drawings conversion



Data Management

Data Management is the practice of collecting, organizing, protecting, and storing an organization's data, so it can be analyzed for business decisions. As organizations create and consume data at unprecedented rates, data management solutions become essential for making sense of the vast quantities of data.

Services: Data Entry, Data Creation, Scanning, Printing, Plotting, OCR Conversion.



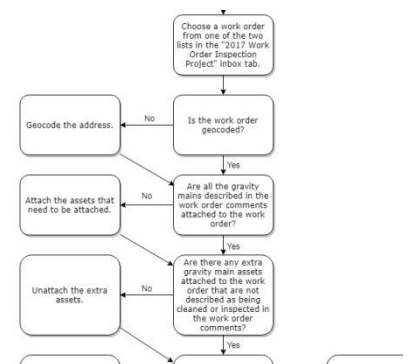
Subdivision Plats: It's a landbase project done in ArcGIS referring Aerial images, required changes are listed in Subdivision plat workorders. Part of job includes adding/removing landbase features like Easements, Lots, Parcels, Easements, Centerlines, Payment edge, Boundaries etc.



Water Mains: To clean up the water mains by verifying flagged as potential dead end mains and make sure they are quite connecting in ArcGIS.

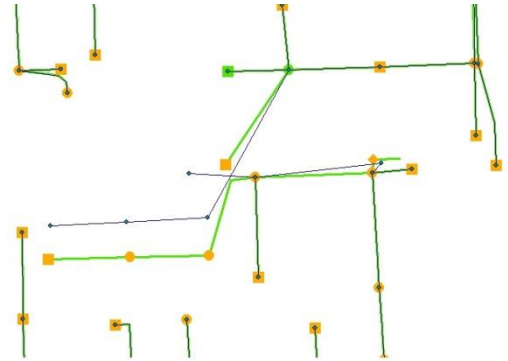


Work Order Inspection: To attach inspections reports to related workorders. Our task is to update previous workorders as per new method of footages tracking. This project placed in City ArcGIS data and a web-based workorder management system



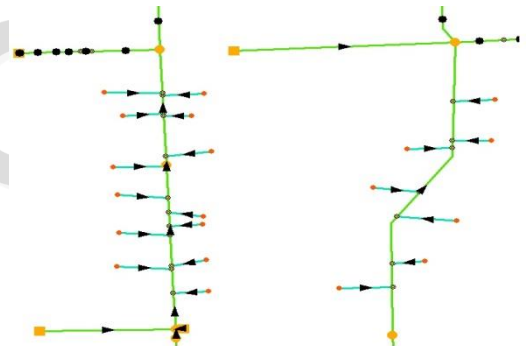
Data Reconciliation:

To compare a client GIS data and consultant GIS data. Our role is to make sure that consultant edits are valid, update them to Client GIS data and make edits/updates as necessary.



Sewer Taps:

To populate the Sewer Taps to Sewer Mains with taps data observed during CCTV inspections.



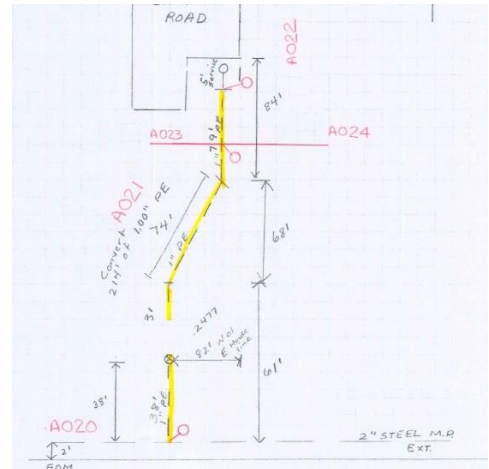
Others:

Building Structures,
Relocating Address points,
Polygons-Buildings, Duplicate parcels,
Road intersections Updating etc.

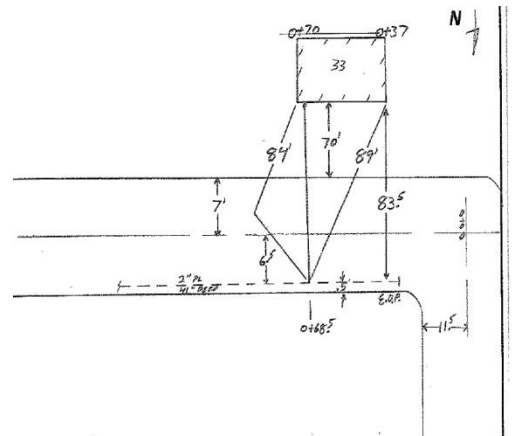


GAS Work-order Posting:

It's a Gas work-order posting project in GE Smallworld. Gas network data updated as per work-order, required changes are listed in those work-orders with sketches. Part of the job includes adding/removing/abandoning pipes, fitting etc. and updating attributes.

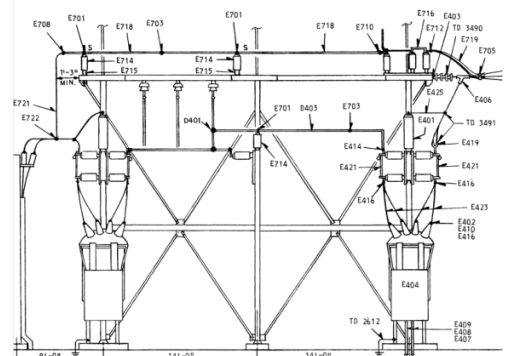


Service Cards: We have updated around 60000 old/historic and new gas service cards information like Length, Directions, Depth, Materials, etc.... by analyzing service sketch from cards and updated them to customized application.



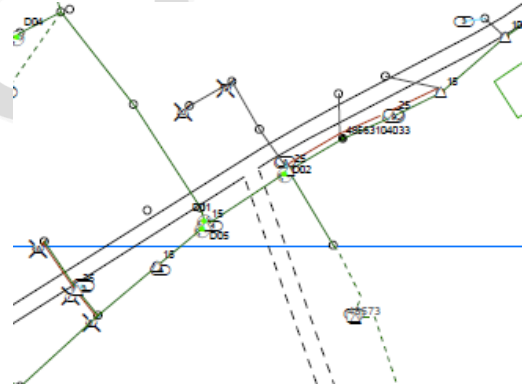
Electrical Drawings Digitization:

We converted around 300 hand sketch Electric drawings such as Substation, Tower, Circuits drawings etc. including in-detail drawings in AutoCAD.



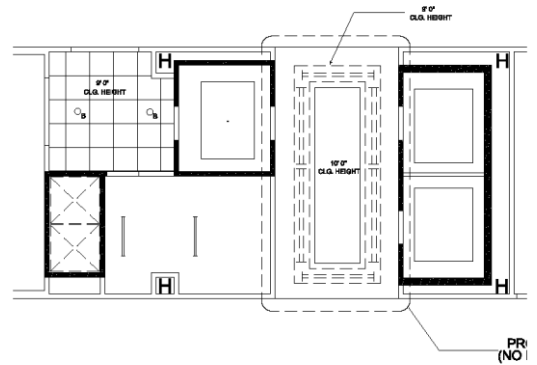
Electrical Facilities Movement:

Basically, it is an online Data cleanup project done in ArcGIS, our task is to connect Primary endpoint points of Electric devices like Transformers, Fuses etc. to electrical lines as per instructions and provide connectivity.



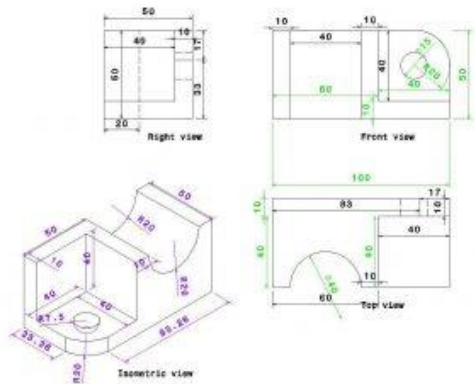
ARCHITEC Drawings

This project deals with the conversion of Construction hand drawn drawings like Floor Plan, Roof Plan etc., to be converted in AutoCAD.



Mechanical Drawings

Conversion of scanned Mechanical drawings to digital format in AutoCAD.



Expertise in GIS Software's:

- Bentley MicroStation
- GE Small world
- Esri ArcGIS
- AutoCAD

